

The 32P was designed with crisp, clear telecentric optics and a precision solid cast iron stage to be an instrument capable of handling almost any measurement/inspection requirement. This welded steel fabrication assures years of accurate, trouble free service.

## FEATURES:

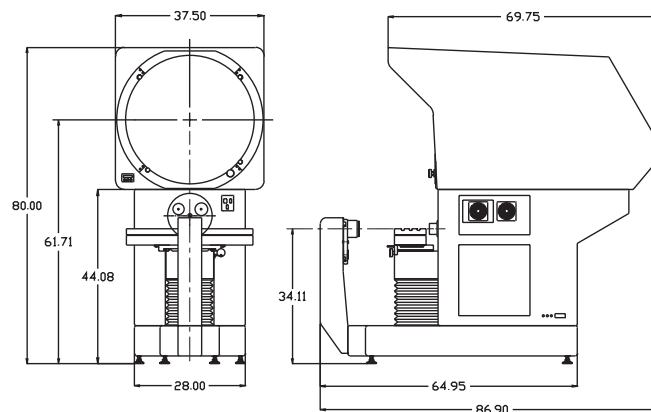
- ✓ 32" (800mm) Vertical screen for optimum viewing
- ✓ Erect and reversed profile image
- ✓ High resolution ground glass screen with calibration reticle, 90 degree cross lines
- ✓ Machined chart ring with vernier protractor, chart clips, 1 minute graduation facilitates optimal alignment
- ✓ Coated telecentric parfocal optics
- ✓ 3 position rotary lens & condenser turret
- ✓ Dimmable LED profile light sources
- ✓ LED fiber optic surface illumination
- ✓ Linear Scale Resolution 0.1  $\mu\text{m}/.000004"$
- ✓ Solid cast iron, nickel plated stage
  - > Triple universal dovetails accommodate a wide range of fixtures
  - > 36" x 8" (914x200mm) Overall size
  - > Solid crossed roller stage bearings
  - > 500 lbs capacity
  - > 24" (610 mm) X-axis motorized travel
  - > 10" (250mm) Y-axis motorized travel
  - > 3" Motorized focus axis
  - >  $\pm 15$  Degree true parfocal helix stage adjustment with 5 minute vernier
  - > Joystick control, computerized microstep motor controller with X and Y axes & focus
- ✓ Integrated hood
- ✓ NIST traceable calibration certificate
- ✓ 2 Year limited warranty

## OPTIONAL FEATURES:

- ✓ Internal edge detection
- ✓ Output for electronic rotary screen protractor (Q-axis) with selectable 1 minute or 1/100 of a degree resolution
- ✓ Choice of readout options, see page 90
- ✓ CNC computer controlled readout systems
- ✓ Harsh Environment Package
- ✓ Extended hood & curtains
- ✓ Wide selection of lenses
- ✓ Tooling



## DIMENSIONS



Technical Specification	
Illumination	Profile: Dimmable LED Surface: LED
Screen Size	32" (800mm) Ground glass with cross-lines
Stage	Cast iron, nickel plated, 36" x 8", triple dovetail
Stage Travel	X = 24" (610mm), Motorized Y = 10" (250mm), Motorized Focus = 3" (75mm), Motorized
Stage Accuracy	Within +/- 0.004mm +[(L/20).001]
Linear Scale Resolution	Standard: 0.1 $\mu\text{m}/.000004"$
Repeatability of Scales	+/- 1 Scale count (0.1 $\mu\text{m}/.000004"$ )
Coated Telecentric Lenses	10x, 20x, 25x, 31.25x, 50x, 62.5x, 100x
Optical Accuracy	Within +/- .10% Profile, +/- .15% Surface
Power Requirements	120V or 240V AC, 50/60 Hz, 10 Amp
Weight	3950 lbs/1792 kg