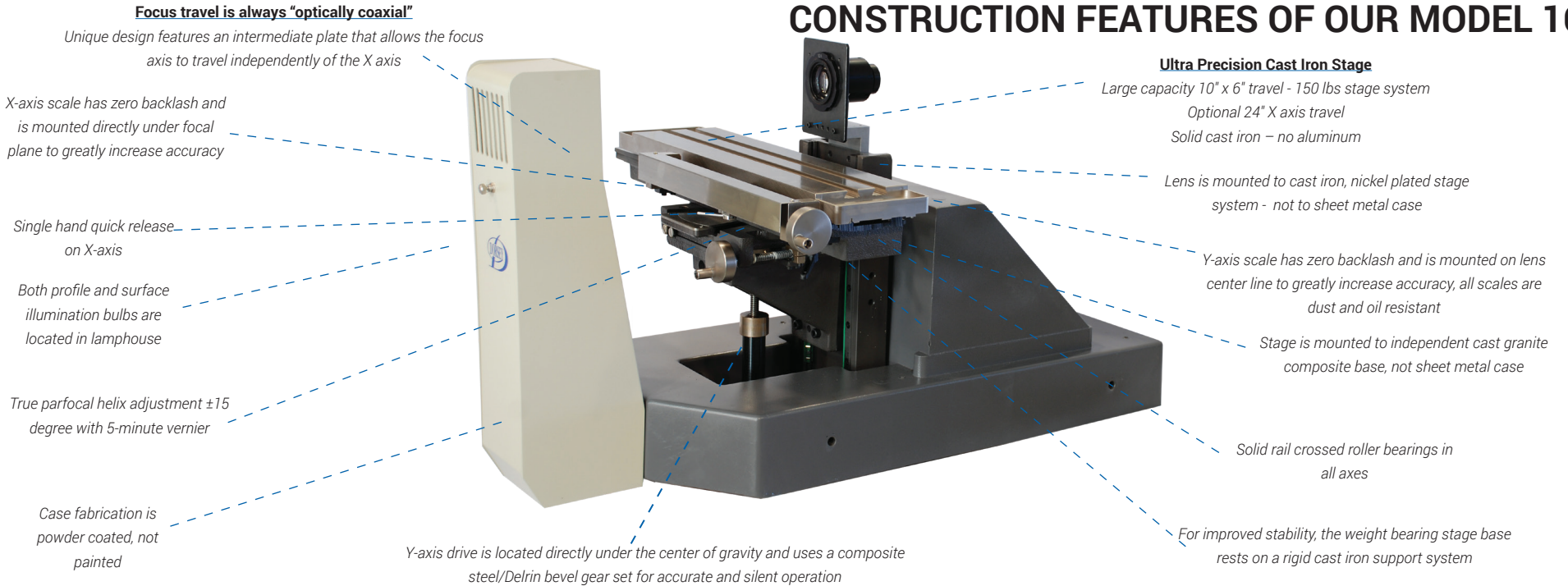


CONSTRUCTION FEATURES OF OUR MODEL 16H



Available with internal edge detection ("IED")

This feature provides automatic edge detection without the viewing obstruction of a plexiglass arm on the screen. The IED target is aligned directly behind the screen center crossline.

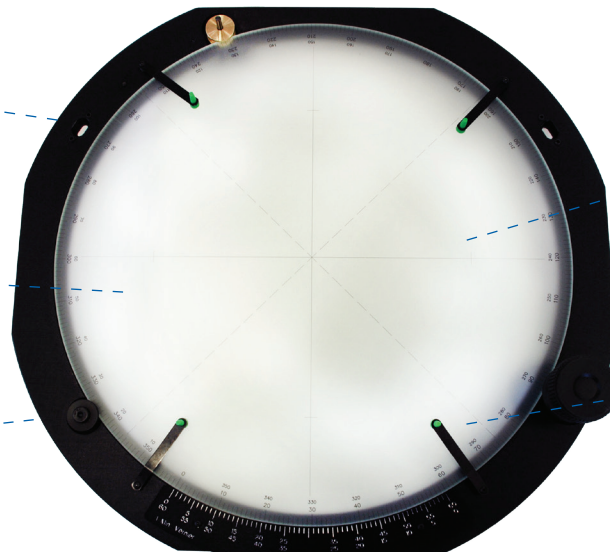
- ✔ IED is more accurate because the image is "read directly" and is not diffused through the ground glass screen.
- ✔ IED is also not subject to the stability and rigidity of a plastic arm, our IED sensor cannot be bumped out of alignment under normal use, like the external arm can.

Standard with Machined Chart Ring

Screen is mounted in precision machined chart ring for increased rigidity, optical accuracy, and improved protractor operation

Built in calibration reticle for easy magnification verification by the operator

Machined chart ring with recessed screen protects against damage, eliminates contamination of internal optics, and facilitates the alignment of the screen to the optical axis



High resolution lapped glass screen

Large format vernier protractor with one minute graduations