

MODEL 16H HORIZONTAL BEAM

This extremely versatile measurement instrument features a robust cast granite composite base and our proven cast iron "ultra precision" stage system. This comparator comes standard with integrated fiber optic surface illumination. Measurement scales are mounted in the center of travel with zero backlash. A variety of readout options combine to make this one of the most accurate and versatile horizontal benchtop comparators.

FEATURES:

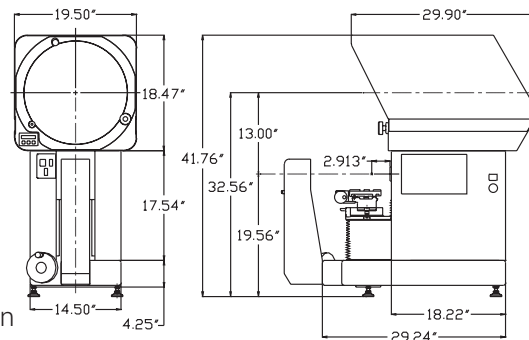
- ✓ 16" (400mm) Vertical screen for optimum viewing
- ✓ Erect and reversed profile image
- ✓ High resolution ground glass screen with calibration reticle, 90 degree cross lines, and chart clips
- ✓ Machined chart ring with vernier protractor, 1 minute graduation
- ✓ Coated telecentric parfocal optics
- ✓ Quick change single lens mount
- ✓ LED surface & dimmable profile illumination
- ✓ Integrated hood
- ✓ Solid cast iron, nickel plated stage
 - 3-axis solid rail crossed roller bearings
 - Twin universal dovetails
 - 18" x 5" (457mmx127mm) overall size
 - 10" (250mm) X-axis travel with quick release
 - 6" (150mm) Y-axis travel (vertical movement/rise & fall)
 - 150 lbs capacity
 - ±15 degree true parfocal helix stage adjustment with 5 minute vernier
- ✓ NIST traceable calibration certificate
- ✓ 0.1 μm scales are standard equipment
- ✓ 2 Year limited warranty



OPTIONAL FEATURES:

- ✓ Internal edge detection
- ✓ Swing away lamp house arm
- ✓ 24" (610mm) extended stage travel on X-axis (50 lbs capacity), 5" (127mm) Y-axis travel (vertical movement Rise & Fall)
- ✓ Choice of readout options, see page 90
- ✓ Motorized and CNC computer controlled systems, 50 lbs capacity
- ✓ Output for electronic rotary screen protractor (Q-axis) with selectable 1 minute or 1/100 of a degree resolution
- ✓ Through-lens surface illumination
- ✓ Harsh Environment Package
- ✓ Additional lens magnifications available
- ✓ Tooling

DIMENSIONS



Technical Specification	
Illumination	Profile: Dimmable LED Surface: Built-in 24V/250W via fiber optics
Screen Size	16" (400mm) Ground glass with cross-lines
Stage	Cast iron, nickel plated, 18" x 5", twin dovetail
Stage Travel	X = 10" (250mm) Y = 6" (150mm) Focus = 2" (50mm)
Stage Options	Optional increase of stage travel 24" (600mm) on X axis
Stage Accuracy	Within +/- 0.004mm +{(L/20).001}
Linear Scale Resolution	Standard: 0.1 μm/.000004"
Repeatability of Scales	+/- 1 Scale count (0.1 μm/.000004")
Coated Telecentric Lenses	5x, 10x, 20x, 25x, 31.25x, 50x, 62.5x, 100x
Optical Accuracy	Within +/- .10% Profile, +/- .15% Surface
Power Requirements	120V or 240V AC, 50/60 Hz, 10 Amp
Weight	460 lbs/209 kg